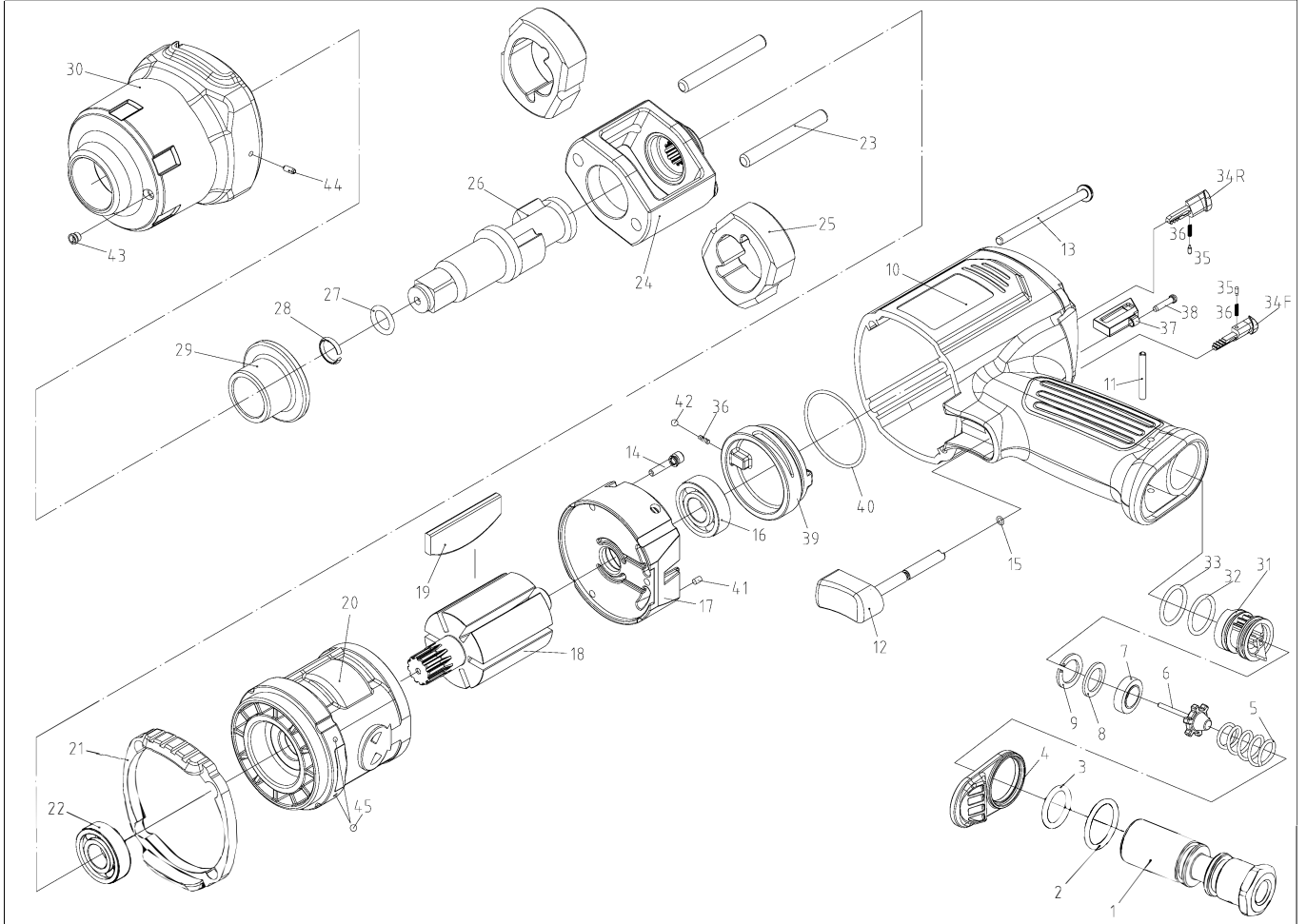


AT-6212 **GAV** HAVALI SOMUN SÖKME 1/2"

1/2"DR.COMPOSITE IMPACT WRENC (TWIN-HAMMER IMPACT MECHANISM)



Item No.	Part No.	Description	Q'ty	Item No.	Part No.	Description	Q'ty
1	638001M	Air Inlet	1	30	621230	Hammer Case	1
2	OR2002	O-Ring	1	31	621224	Reverse Valve	1
3	638004	O-Ring	1	32	OR17418	O-Ring	1
4	638005	Deflector	1	33	OR1802	O-Ring	1
5	638006	Spring	1	34F	621229F	Forward Button	1
6	328804C	Valve Stem	1	34R	621229R	Reverse Button	1
7	328835	Valve Seat	1	35	328814	Detent Pin	2
8	328825S	Washer	1	36	621238	Spring	3
9	638010	Retainer Ring	1	37	621228	Spacer	1
10	621210	Motor Housing w/bushing	1	38	633809-1	Screw	1
11	638011	Spring Pin	1	39	621240	Power Management Knob	1
12	621214	Trigger	1	40	OR3818	O-Ring	1
13	621213	Bolt	4	41	589040	Spring Pin	1
14	611214	Screw	3	42	SB0003-1	Steel Ball	1
15	OR2512	O-Ring	1	43	638047	Grease Fitting	1
16	B6001Z	Ball Bearing	1	44	SPP2508	Spring Pin	1
17	621217	End Plate	1	45	SB0003	Steel Ball	2
18	611218T	Rotor	1				
19	611219C	Blade	6				
20	621220	Cylinder	1				
21	621221	Gasket	1				
22	B6002	Ball Bearing	1	**26	AP1812-30XL	Extended Anvil	
23	611223	Hammer Pin	2				
24	611224	Hammer Frame	1				
25	611225	Hammer	2				
26	611226	Anvil	1				
27	OR7718	O-Ring	1				
28	328830-4	Socket Retainer	1				
29	611229	Bushing	1				